

Filtration Systems™ *Over-The-Top™* Housings

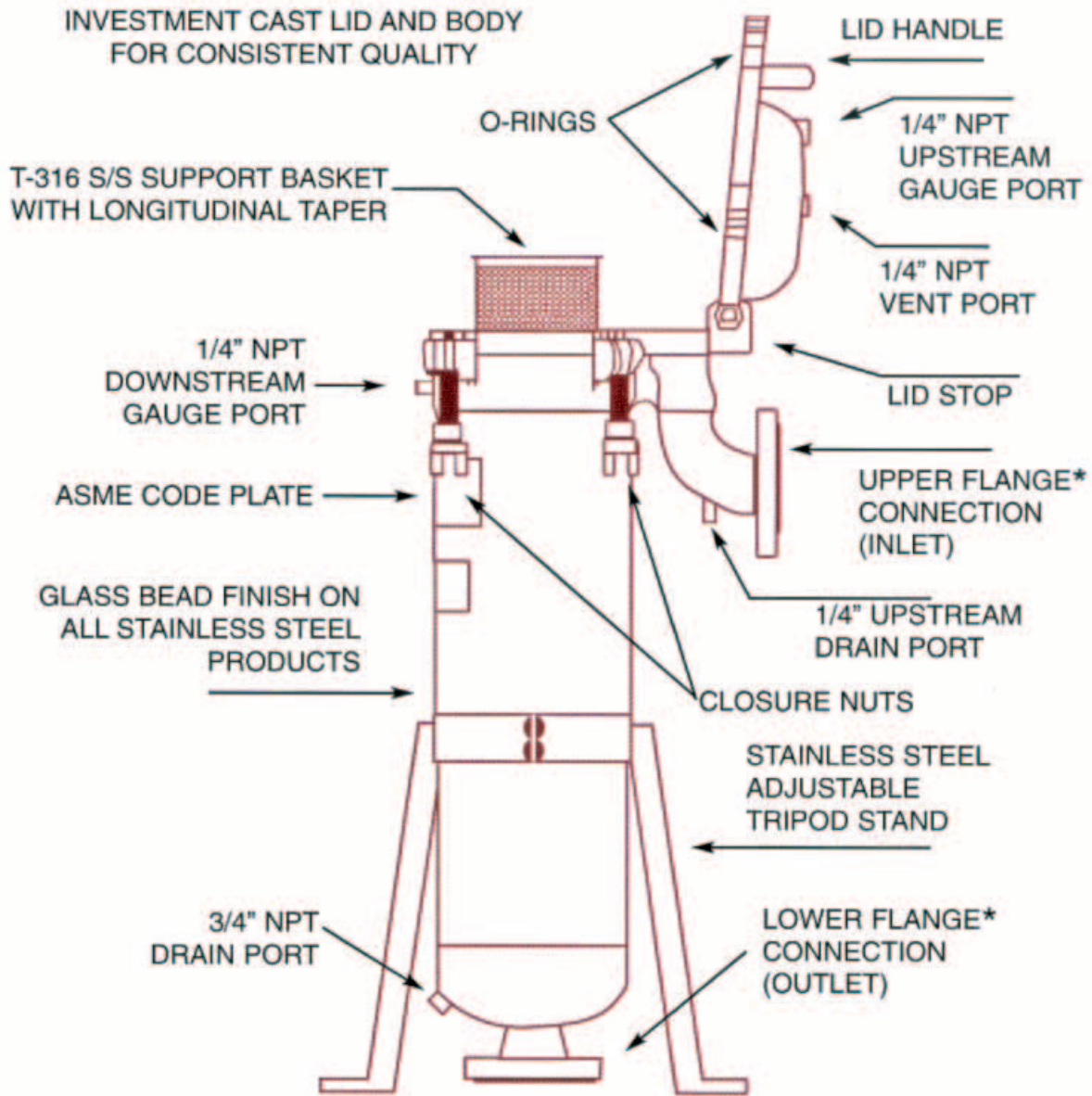
Maximize Liquid Filtration Performance and Value

- **Over-The-Top™** design provides a positive compression seal... *improves filtration performance by preventing product contamination due to bypass of unfiltered liquid. When used with our filter bags, featuring the patented Zero-Bypass™ collar, an absolute seal is achieved.*
- Solids are trapped and collected in the filter bag ... *product waste is minimized and cleanup of the vessel interior during bag change-out is eliminated.*
- O-rings are mounted securely in the lid of the vessel ... *achieves an optimum compression seal and virtually eliminates contamination or hazardous build-up in the O-ring grooves.*
- **Over-The-Top** housings provide lower working height for filter technicians ... *increases productivity by making filter bag change-outs easier and minimizes employee exposure to liquids by reducing accidental spills.*
- User-friendly design ... *Vent, gauge and drain ports promote accurate monitoring and safe use. A convenient handle and built-in lid stop make our vessels easy to use.*
- Hinged lids seal shut with four closure bolts and castle nuts ... *allows quick access without special tools, shims or sealing devices.*
- Investment cast components machined to precision tolerances ... *produce a superior product for long-term, trouble-free use.*
- All vessels are designed and built according to ASME Code ... *sheet metal, clamps or plastics are not used in the manufacture of our housings.*
- **Over-The-Top** vessels support modular design ... *offers alternate piping configurations and enables future equipment expansion. Valved, parallel systems maximize productivity through continuous service so your filtering process never shuts down.*
- Filter vessels manufactured by **Filtration Systems** ... *your assurance of superior quality control and immediate shipment of stocked items. Housings accommodate filter bags, strainers and cartridges. Options include sanitary finishes, fluoropolymer coatings and alternate connections.*



Improving product quality and increasing productivity, while protecting your employees and investment is what **Over-The-Top** design is all about.

Component parts of a *Filtration Systems* Filter Vessel



*Note: Refer to vessel brochure for standard connection type.

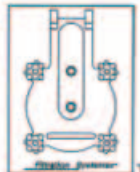
© 1999 Mechanical Mfg. Corp.

Product Warranty: In the event any vessel is found to be defective in material or workmanship for a period of one year from date of purchase, **Filtration Systems** only liability will be to repair or replace the product.

The manufacturer reserves the right to change specifications without notice. There are no express or implied warranties, with respect to product merchantability and/or fitness for specific purpose. **Filtration Systems** will not be liable for any incidental damages from the use or misuse of our products under any circumstances.

Filtration Systems™

Division of Mechanical Mfg. Corporation
10304 N.W. 50th Street • Sunrise, FL 33351 USA
Tel: 954-572-2700 • Fax: 954-572-3401
<http://www.filtrationsystems.com>



TM

GB299